

SWING LOADERS  
TELESCOPIC WHEEL LOADERS  
TELESCOPIC SWING LOADERS

Simmler *Vermietung* *Verkauf* *Reparatur*  
Baumaschinen

**PAUS**  
*...the people who care*

POWERFUL, STABLE AND  
FLEXIBLE OPERATION –  
EVERY DAY.





## **PAUS OFFERS WHAT YOU NEED IN YOUR DAILY OPERATIONS:**

- ◆ **Stability and durability in every situation**
- ◆ **Sufficient performance and power for every operation**
- ◆ **Agile and fast in tight spaces**
- ◆ **Durable and reliable in excellent quality**

### **A family business with a feel for what is really important**

Paus means efficiency, quality and sustainability in true engineering tradition. As a family business, we develop construction machines, mining and tunnelling machines, lift technology and industrial vehicles at our home in Emsbüren, Germany.

Our goal: Your success! Paus machines will enable you to continually master even the toughest of challenges.





**SL** SWING LOADER 9075



**TL** TELESCOPIC WHEEL LOADER 9065



**TSL** TELESCOPIC SWING LOADER 9075



**SWING LOADER  
SL 9075**

- 180° swivelling lifting gear
- 6890 kg
- 55.4 kW / 75.4 hp
- 1 m<sup>3</sup> bucket volume



**TELESCOPIC WHEEL LOADER  
TL 9065**

- 6495 kg
- 55.4 kW / 75.4 hp
- 1 m<sup>3</sup> bucket volume



**TELESCOPIC SWING LOADER  
TSL 9075**

- 180° swivelling lifting gear
- 7490 kg
- 55.4 kW / 75.4 hp
- 1 m<sup>3</sup> bucket volume

**SL** SWING LOADER 9088



**TL** TELESCOPIC WHEEL LOADER 9078





**SWING LOADER  
SL 9088**

- 180° swivelling lifting gear
- 7605 kg
- 85 kW / 115.6 hp
- 1.2 m<sup>3</sup> bucket volume



**TELESCOPIC WHEEL LOADER  
TL 9078**

- 6900 kg
- 85 kW / 115.6 hp
- 1 m<sup>3</sup> bucket volume



**TELESCOPIC SWING LOADER  
TSL 9088**

- 180° ling lifting gear
- 7650 kg
- 85 kW / 115.6 hp
- 1 m<sup>3</sup> bucket volume

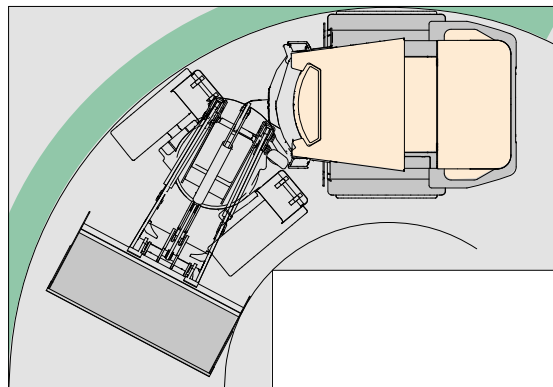
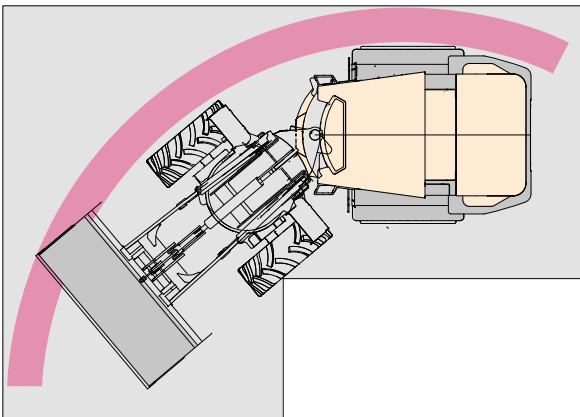


**TELESCOPIC SWING LOADER 9088**

# STRAIGHTFORWARD HANDLING IN TIGHT WORKING SITUATIONS

## THESE ARE THE BENEFITS OF OUR SWING LOADERS:

- When things get tight, the articulated steering system causes the rear carriage to automatically follow the front end. Neither the working tool nor the rear end of the machine protrude beyond the turning circle. That makes it easier to manoeuvre in tight areas!
- With the additional swing function, it is possible to easily navigate large attachments through tight areas.



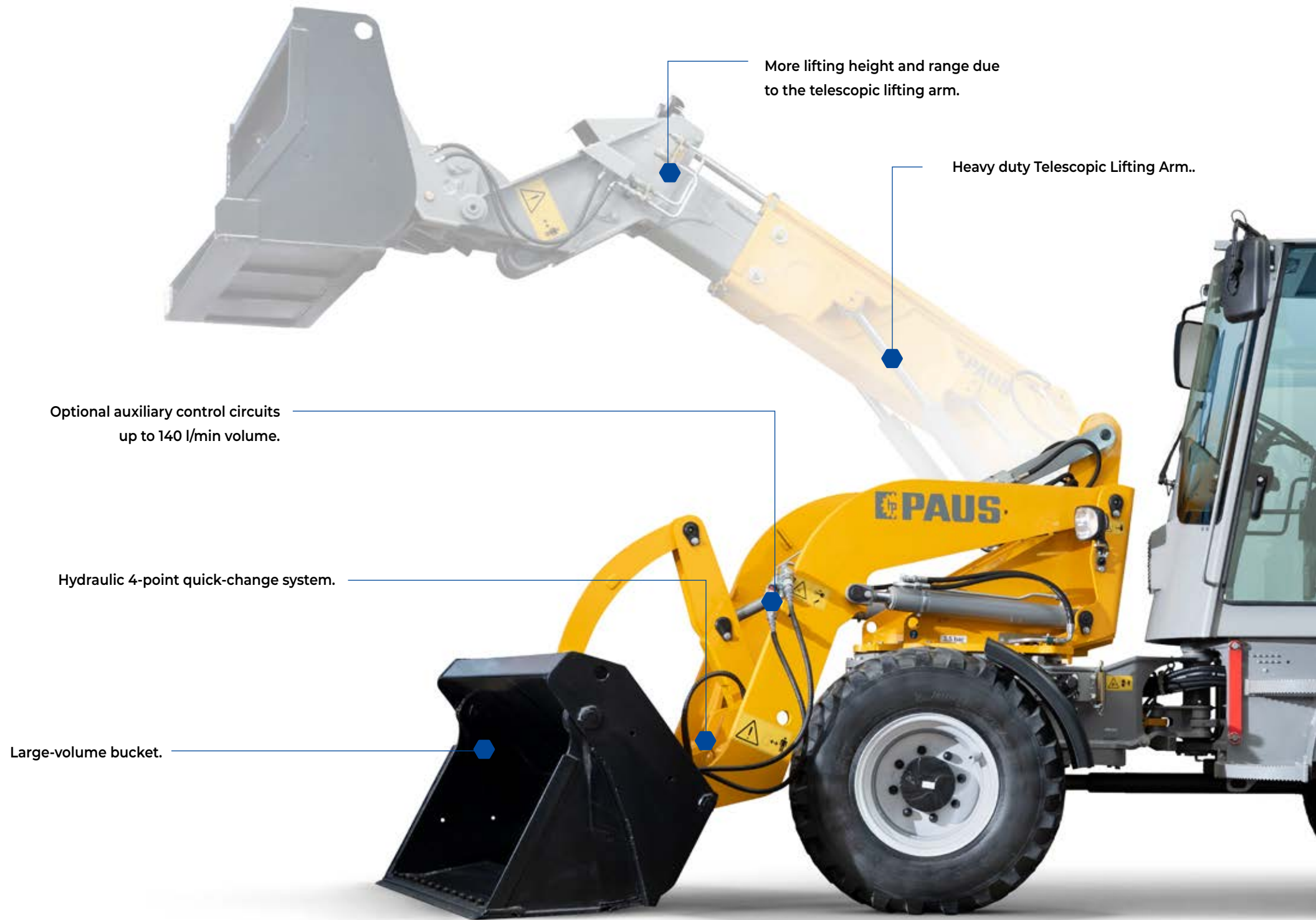




## Swing, don't steer

The facility to swing the lifting frame through 90° and to unload bulk goods to the side means:

- ◆ Faster work cycles in tight construction sites.
- ◆ By far less maneuvering compared to a standard loader.



More lifting height and range due to the telescopic lifting arm.

Heavy duty Telescopic Lifting Arm..

Optional auxiliary control circuits up to 140 l/min volume.

Hydraulic 4-point quick-change system.

Large-volume bucket.

# THE ALL-ROUNDERS FROM PAUS



ROPS/FOPS comfort cab with excellent all-round view.  
Safe cabin access on both sides due to stable and skid-proof ladders..

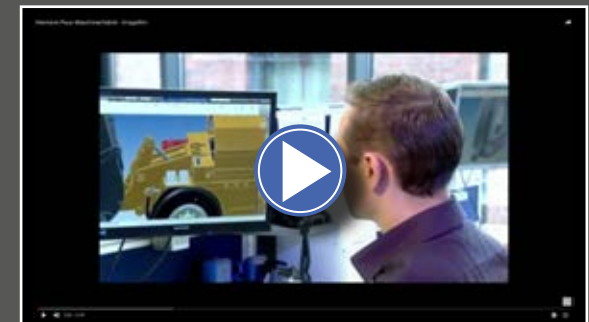
Powerful engines, Tier V up to max. 85 kW output.

Optional: combined, adjustable trailer hitch.

Completely internal, low-maintenance multi-plate brake system. Protected against external influence.

100% connectible differential lock.

LET'S TAKE A SHORT  
EXCURSION INTO THE  
WORLD OF MODERN PAUS  
CONSTRUCTION MACHI-  
NES.





1

# HIGHLIGHTS



- 1** Cab with excellent all-round view – including upwards through the skylight.
- 2** Outstanding view to the quick attach system, due to the narrowing lifting gear design on the cab side.
- 3** Hydraulic auxiliary control circuit with pressure relief.
- 4** Organized workplace with potentiometer for oil volume and travel speed.
- 5** Professional engine installation with stable consoles and protective covers over rotating parts.
- 6** Optional: combined, adjustable trailer hitch.

# TELESCOPIC WHEEL LOADERS

## TL 9065 / 9078

### VERSATILE, STABLE AND WITH ENORMOUS HEIGHT

The PAUS TL series impresses in the field of high-loading bulk goods or in stacking operations.

The 50% more dumping height over comparable standard loaders simplify the loading of bulk goods of high-boarded trucks or funnels. The articulated steering allows precise handling of pallets and goods. Stationary steering allows to position the load simply, without further movement of the machine.

An extremely powerful telescopic arm system and the equipment option of an auxiliary hydraulic control circuit with a capacity of up to 140 l/min makes the PAUS TL series a true heavy load partner.

- ◆ **Heavy loads up to great heights**
- ◆ **Perfect all-round view in all directions, including upwards**
- ◆ **Extremely steadfast and stable**
- ◆ **Loads can be precisely adjusted and positioned**





**PAUS**  
*...the people who care*



# SWING LOADERS

SL 9075 / SL 9088





## POWERFUL, AGILE AND COMFORTABLE

The PAUS SL series promises much faster loading cycles in tight spaces. The motto is: **"Swing, don't steer!"**

The SL series is masterful in the measured filling of ditches, levelling or loading bulk goods to the side without lengthy manoeuvring of the machine.

The combination of the 180° rotatable lifting gear and the articulated steering allows you to drive through narrow passages easily.

Powerful engines (up to 85 kW) and additional hydraulic control circuits with a capacity of up to 140 l/min allow high-performance attachments to be driven.

The comfortable ROPS/FOPS cab provides a fatigue-free workplace with full all-round view.

- ◆ **Heavy loading with full manoeuvring capability**
- ◆ **Working in tight construction sites with little space for manoeuvring**
- ◆ **180° swing system**
- ◆ **Excellent off-road capability in every situation**



# TELESCOPIC SWING LOADERS

## TSL 9075 / TSL 9088



### THE ALL-ROUNDER AMONG THE SWING LOADERS

This multifunction equipment carrier masters all tasks in construction, landscaping and communal work.

Besides the standard operations with buckets and pallet forks, this machine series demonstrates its versatility in winter service, street maintenance, mulching and mowing and when working with a sweeper.

Operations with a milling machine, vibrating plate or auger make the TSL series the perfect partner for cable construction, road works and landscaping.

Need to lift a pallet over the side? No problem!

The option of a certified working platform, also available as one-man operation platform, fully complements the multifunction capability of our equipment carrier.

- ◆ **Heavy-duty and high loading possible, including up to 90° to the side**
- ◆ **Multifunctional operation with a wide range of attachments**
- ◆ **One-man operation with work platform**
- ◆ **The all-rounder in every sector**









# OPERATING DATA

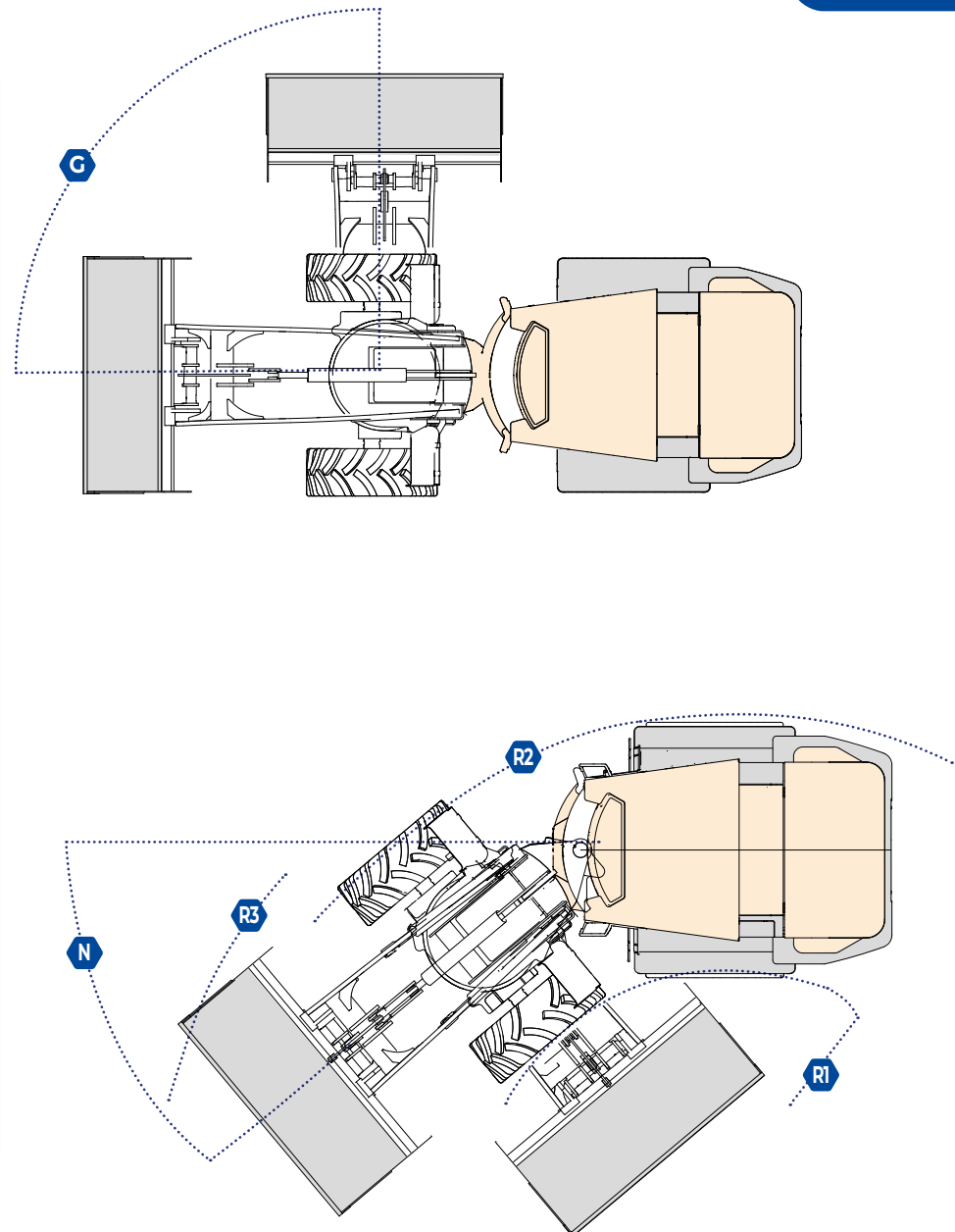
TECHNICAL DATA	SWING LOADERS		TELESCOPIC WHEEL LOADERS		TELESCOPIC SWING LOADERS	
	SL 9075	SL 9088	TL 9065	TL 9078	TSL 9075	TSL 9088
<b>Engine</b>	Deutz	Deutz	Deutz	Deutz	Deutz	Deutz
<b>Type</b>	TD 2.9	TCD 3.6	TD 2.9	TCD 3.6	TD 2.9	TCD 3.6
<b>Output in kW / hp</b>	55.4 / 75.4	85 / 115.6	55.4 / 75.4	85 / 115.6	55.4 / 75.4	85 / 115.6
<b>Nominal speed</b>	2300	2000	2300	2000	2300	2000
<b>Emissions level</b>	V	V	V	V	V	V
<b>Travel drive</b>	<ul style="list-style-type: none"> <li>· Performance regulated, hydrostatic drive with load limit sensing control</li> <li>· Inching function freely adjusted with the rotary potentiometer</li> </ul>					
<b>Speed in km/h</b>	20	20	20	20	20	20
<b>· Optional: km/h</b>	30	30	30	30	30	30
<b>· Optional: km/h (gearbox)</b>	-	40	-	40	-	40
<b>Frame and suspension</b>						
<b>Steering type</b>	Articulated steering					
<b>Steering angle</b>	+/- 40°					
<b>Rear axle pendulum</b>	+/- 10°					
<b>Axles</b>	Planetary rigid axle					
<b>Differential lock 100%</b>	FA+RA	RA	FA+RA	RA	FA+RA	RA
<b>Swing axle lock</b>	Yes	Yes	No	No	Yes	Yes
<b>Standard tyres</b>	405/70-R20					
<b>Brakes</b>						
<b>Service brake</b>	<ul style="list-style-type: none"> <li>· Oil bath multi-disk brake acting on all 4 wheels</li> <li>· Additional braking function via inching and hydrostatic drive, acting on all 4 wheels</li> <li>· 40 km/h Version with 2-Circuit power brake</li> </ul>					
<b>Parking brake</b>	<ul style="list-style-type: none"> <li>· Electro-hydraulic spring-loaded brake acting on all 4 wheels, automatically activated when the engine is not running and, in the case of 85 kW machines, additionally when the drivers seat is not in use.</li> </ul>					
<b>Starting aid</b>	No	Yes	No	Yes	No	Yes

OPERATING DATA	SWING LOADERS		TELESCOPIC WHEEL LOADERS		TELESCOPIC SWING LOADERS	
	SL 9075	SL 9088	TL 9065	TL 9078	TSL 9075	TSL 9088
<b>Hydraulics</b>	<ul style="list-style-type: none"> <li>· Lifting, tipping and slewing cylinder, double-acting</li> <li>· Control unit with electro-hydraulic pilot control</li> <li>· Proportional, load-independent control circuit for quick-change unit and attachments</li> <li>· Paus multifunction Joystick for 1-lever cross-connection for lifting, tipping, (telescopic) and slewing cylinder</li> <li>· Actuation of slewing cylinder by turning-movement of the Joystick</li> <li>· Connectible float position</li> <li>· Auxiliary control circuit pressure relief</li> </ul>					
<b>Pump</b>	ZRP	VP	ZRP	VP	ZRP	VP
<b>Pressure in bar</b>	200	200	200	200	200	200
<b>Delivery rate in l/min</b>	80	140	80	140	80	140
<b>Auxiliary control circuit (optional) l/min</b>	80	100 alt. 140	80	100 alt. 140	80	100 alt. 140
	Flow rate, controlled by potentiometer					

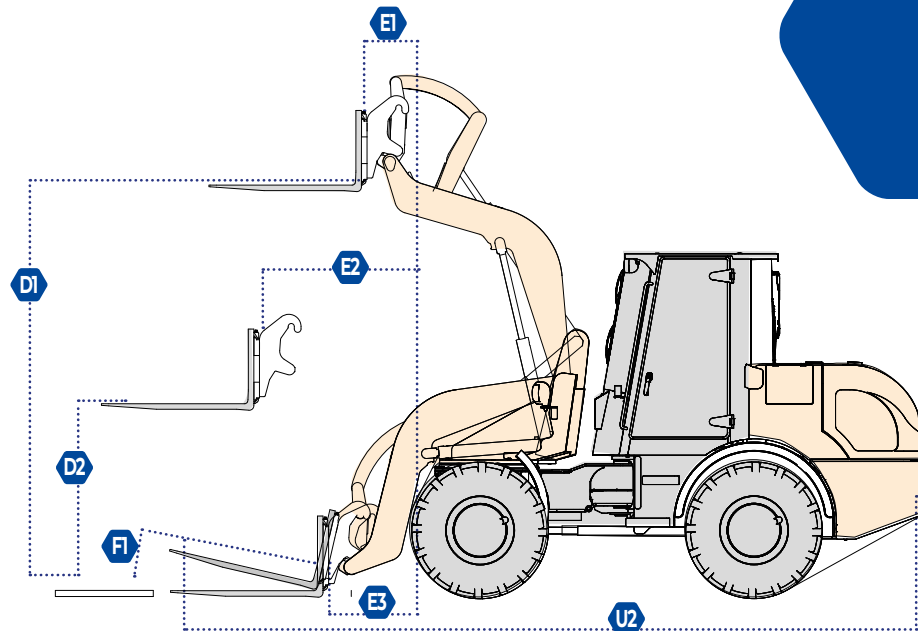
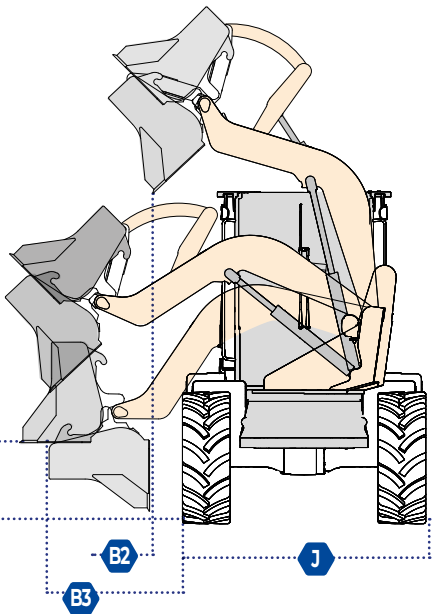
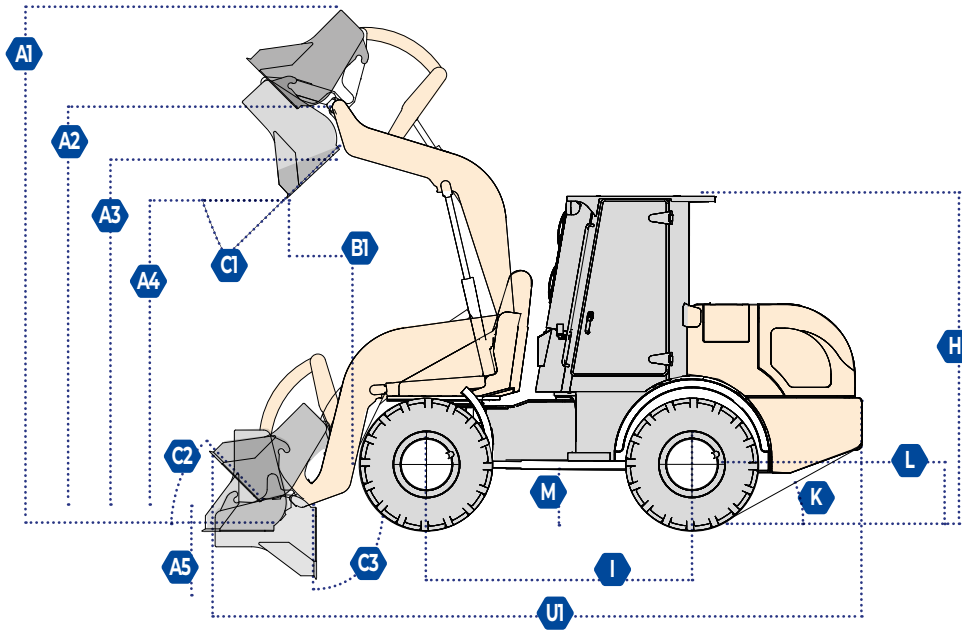
OPERATING DATA	SWING LOADERS		TELESCOPIC WHEEL LOADERS		TELESCOPIC SWING LOADERS	
	SL 9075	SL 9088	TL 9065	TL 9078	TSL 9075	TSL 9088
<b>Service weight in kg</b>	6890	7605	6495	7210	7490	7650
<b>Standard Bucket Volume m<sup>3</sup></b>	1	1.2	1	1	1	1
<b>Tipping load straight in kg</b>	3990	4975	3750	4350	4096	4610
<b>Tipping load articulated in kg</b>	3355	4180	3070	3520	3460	3865
<b>Payload, 80% PAL (level ground)</b>	2120	2880	See Load diagram			
<b>Payload, 60% PAL (uneven ground)</b>	1590	2160	See Load diagram			
<b>Payload 90° 80% PAL</b>	1584	2120	See Load diagram			
<b>Payload 90° 60% PAL</b>	1188	1590	See Load diagram			

# TECHNICAL DATA SL

Description	Dimension	SWING LOADERS		Unit
		SL 9075	SL 9088	
Max. overall height	A1	4330	4330	mm
Max. height attachment pin	A2	3510	3510	mm
Max dump height over drop side	A3	3030	3030	mm
Dumping Height	A4	2750	2750	mm
Digging Depth	A5	60	60	mm
Min. height of bucket base 90°	A6	550	550	mm
Dumping reach, upper	B1	715	625	mm
Dumping reach, upper 90°	B2	320	255	mm
Dumping reach, max. 90°	B3	1170	1125	mm
Dumping angle	C1	43	43	°
Filling angle	C2	45	45	°
Tip back angle	C3	90	90	°
Max. stacking height	D1	3320	3320	mm
Stacking height at max. stacking reach	D2	1515	1515	mm
Tilting angle/pallet fork	F	13	13	°
Swinging angle	G	90	90	°
Cab height	H	2750	2750	mm
Wheelbase	I	2145	2238	mm
Width over tires	J	1935	2065	mm
Slope angle	K	30	30	°
Static load radius	L	490	490	mm
Ground clearance	M	435	450	mm
Steering angle	N	40	40	°
Turning radius, inner	R1	1980	2135	mm
Turning radius, outer	R2	3980	4236	mm
Turning radius, outer, straight loading system	R3	4420	4745	mm
Total length	U1	5350	5500	mm
Total length/pallet fork	U2	6040	6210	mm

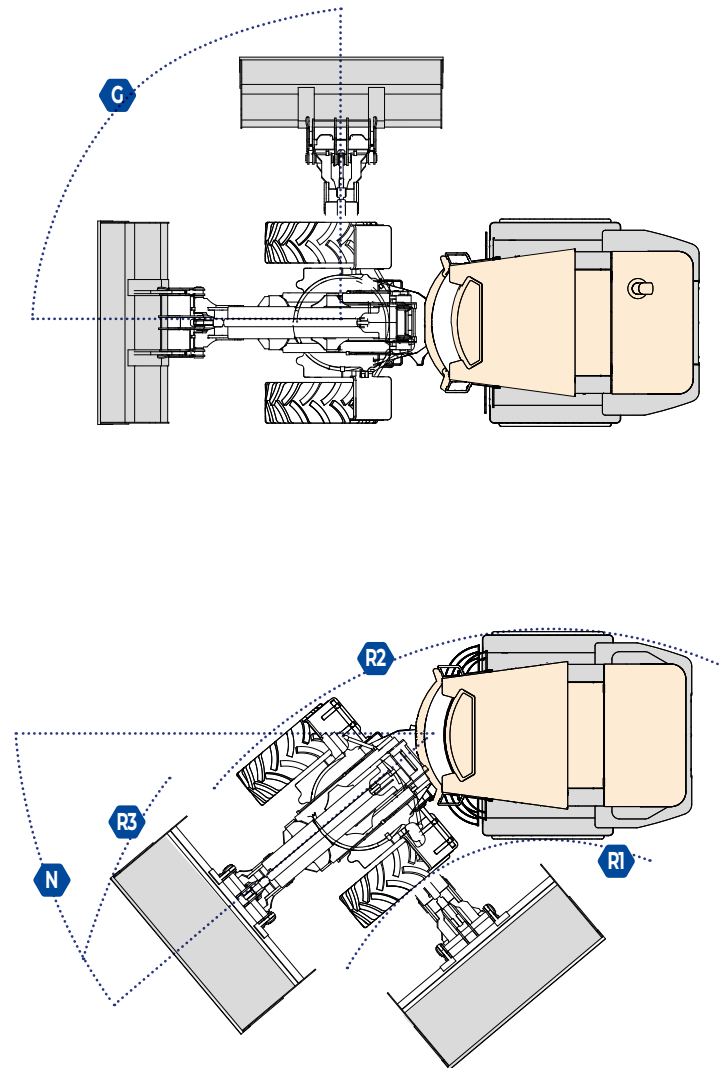


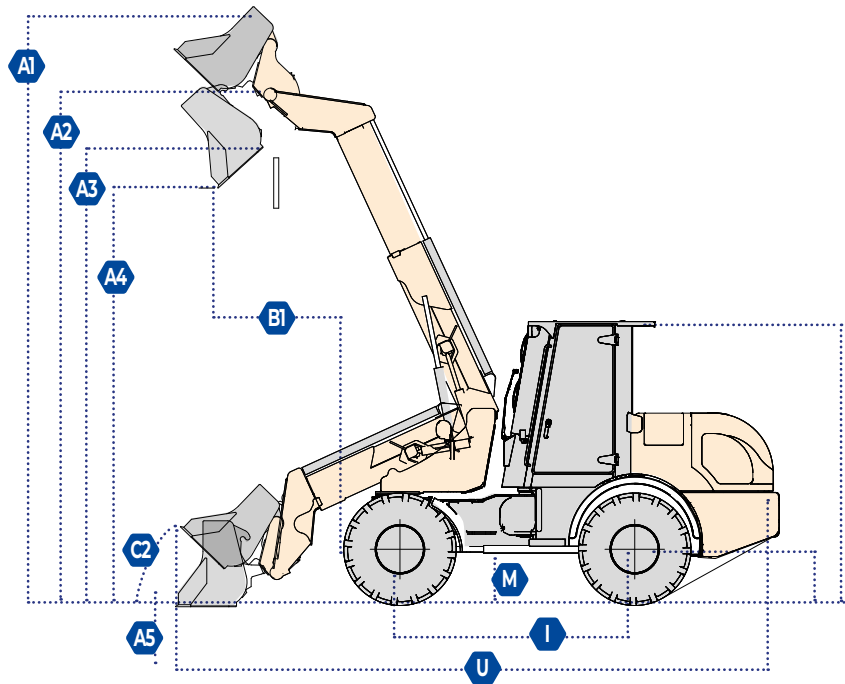
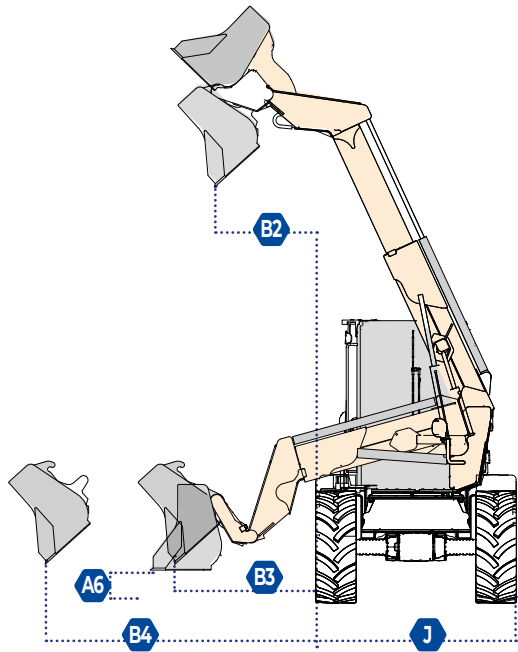




# TECHNICAL DATA TL / TSL

Description	Dimension	TELESCOPIC WHEEL LOADERS		TELESCOPIC SWING LOADERS		Unit
		TL 9065	TL 9078	TSL 9075	TSL 9088	
Max. overall height	A1	5875	5875	5875	5875	mm
Max. height attachment pin	A2	5000	5000	5000	5000	mm
Max dump height over drop side	A3	4375	4375	4375	4375	mm
Dumping Height	A4	4080	4080	4080	4080	mm
Undermining depth	A5	80	80	80	80	mm
Min. height of bucket base 90°	A6	-	-	260	260	mm
Dumping reach, upper	B1	1250	1250	1250	1250	mm
Dumping reach, upper 90°	B2	-	-	1000	1000	mm
Dumping reach, min. 90°	B3	-	-	1400	1400	mm
Dumping reach, max. 90°	B4			2700	2700	mm
Dumping angle	C1	44	44	44	44	°
Filling angle	C2	44	44	44	44	°
Max. stacking height	D1	4830	4830	4830	4830	mm
Max. stacking height	D2	3660	3660	3660	3660	mm
Swinging angle	G	-	-	90	90	°
Cab height	H	2750	2750	2750	2750	mm
Wheelbase	I	2330	2330	2330	2330	mm
Width over tires	J	2000	2000	2000	2000	mm
Slope angle	K	30	30	30	30	mm
Static load radius	L	490	490	490	490	mm
Ground clearance	M	440	440	440	440	mm
Steering angle	N	40	40	40	40	°
Turning radius, inner	R1	2160	2280	2160	2280	mm
Turning radius, outer	R2	4280	4370	4280	4370	mm
Turning radius, outer, straight loading system	R3	4730	4800	4730	4800	mm
Total length	U	5805	5940	5805	5940	mm
Centre of gravity	X	500	500	500	500	mm

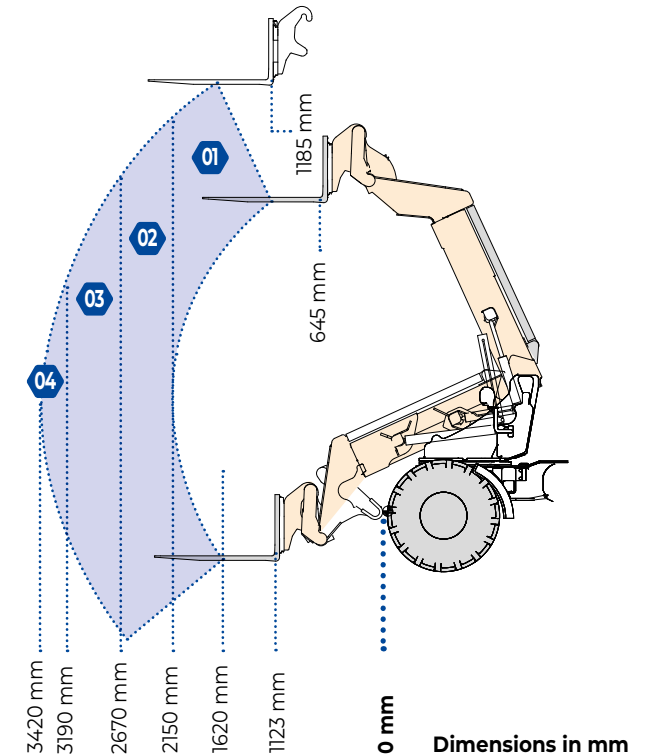




# LOAD CAPACITY DIAGRAMS

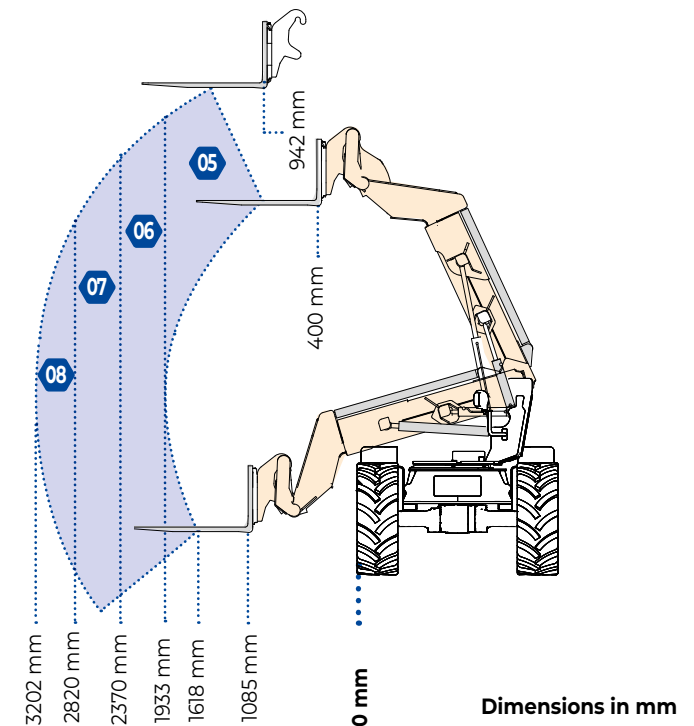
		STRAIGHT LOADING POSITION (TSL + TL)				PAYLOAD EN-474-3 80 % IN KG			
Range	TSL 9075		TSL 9088		TL 9065		TL 9078		
	Steering articulated	Steering straight	Steering articulated	Steering straight	Steering articulated	Steering straight	Steering articulated	Steering straight	
01	2160	2400	2450	2450	1968	2400	2260	2450	
02	1747	2098	1987	2398	1547	1972	1760	2253	
03	1537	1846	1748	2110	1361	1734	1549	1982	
04	1280	1560	1440	1760	1096	1464	1233	1652	

Payloads in kg according to EN-474-3 80 %, load centre of gravity 500 mm to fork back



		LOADING POSITION 90° (TSL)			
Range	TSL 9075		TSL 9088		
	Steering articulated	Steering straight	Steering articulated	Steering straight	
05	1280	1440	1320	1520	
06	933	1080	949	1167	
07	790	914	804	988	
08	600	720	600	800	

Payloads in kg according to EN-474-3 80 %, load centre of gravity 500 mm to fork back





## STANDARD EQUIPMENT

- Comfortable ROPS/FOPS Cab
- Large cabin door on each side
- Stable and skid proof ladders
- 3-speed ventilator with pollen filter
- Large, folding exterior mirrors
- Adjustable steering column
- Parallel windscreen wipers with windscreen washer and intermittent setting at the front
- Tinted panoramic safety glazing
- Orthopaedic, fully adjustable driver's seat with lumbar support and lap belt
- Powerful heating and ventilation system
- Joystick with integrated swing function (for SL), direction of travel indicator and switch for auxiliary hydraulic control circuits
- Interior light, interior mirror, sun visor and stowage compartment
- Display with operating hours counter, fuel, diagnosis, tank, rpm, time, speedometer and temperature display for engine oil, hydraulic fluid and all warning lights



- Switchable float position
- Auxiliary control circuit, freely adjustable by potentiometer
- Crawling speed, adjustable by potentiometer

- 2 work lights at front
- Road Traffic Regulations (german StVZO)
- Hydraulic 4-point quick-change system
- Standard tyres 405/70-R20



## ADDITIONAL OPTIONS (SELECTION)

- ◆ Head restraint
- ◆ Armrest, left
- ◆ Auxiliary heater
- ◆ Seat heating
- ◆ Air-conditioning system
- ◆ Heatable exterior mirror
- ◆ Heatable rear window
- ◆ LED work lights
- ◆ Sliding windows, left and right
- ◆ Air-suspended comfort seat
- ◆ Cab preheater 220 V
- ◆ Radio with USB, Bluetooth, MP3 function, speaker and antenna
  
- ◆ Lifting arm damping
- ◆ Auxiliary control circuits, alternatives: 80 l/min; 100 l/min; 140 l/min
  
- ◆ Special paint finish
- ◆ Special hydraulic oils
- ◆ Special tyres
- ◆ Euro quick-change unit
- ◆ Cyclone pre-filter
- ◆ High-speed version (30 km/h, alternatively 40 km/h)
- ◆ Reversible fan (with TCD 3.6)
- ◆ Trailer hitches: tractor jaw, Rockinger jaw or ball head. Alternatively: adjustable hitch attachment with Rockinger jaw and ball head, incl. 13-pin socket
- ◆ 2-man platform operation with type-approved work platform
- ◆ Self-driving work platform on TSL T7 basis



# PAUS

...the people who care



## HERMANN PAUS MASCHINENFABRIK GMBH

Siemensstraße 1-9  
D-48488 Emsbüren, Germany  
info@paus.de  
Phone: +49 5903 707-0  
Fax: +49 5903 707-333

FOLLOW US



[WWW.PAUS.DE](http://WWW.PAUS.DE)

Publication details © Copyright 2020, Hermann Paus Maschinenfabrik GmbH, Emsbüren, Germany. Any form of unauthorised use or reproduction of the content, in whole or in part is prohibited. Illustrations and photos may show features with optional equipment. The specifications printed here are without guarantee. The right is reserved to amend the technical data and the equipment without advance notice. Please contact Hermann Paus Maschinenfabrik GmbH for further information.

Your local dealer:

**Simmler** *Vermietung  
Verkauf  
Reparatur*  
**Baumaschinen**

Buechstr. 25, 8645 Jona 055 212 69 50  
[www.simmler.swiss](http://www.simmler.swiss)